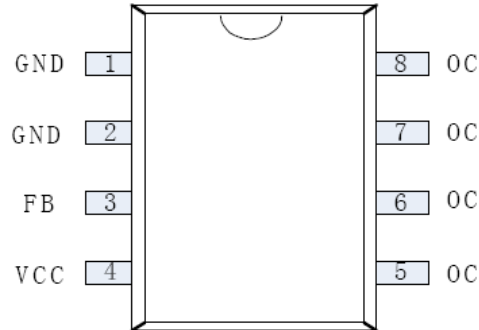
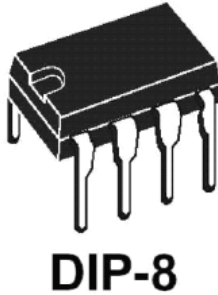


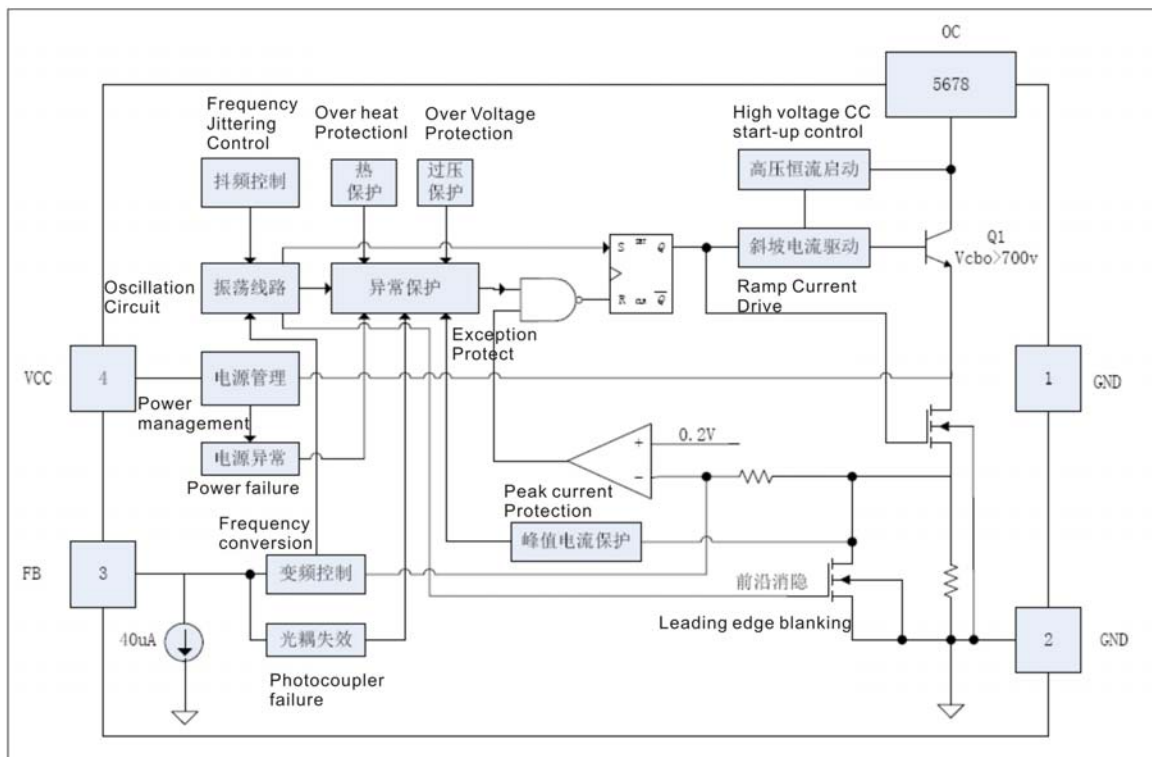
5. CONNECTION DIAGRAM (DIP-8)



PIN FUNCTION

Pin NO.	Pin Name	Function
1	GND	Ground reference of IC
2	GND	Ground reference of IC
3	Fb	Feedback control pin
4	Vcc	IC Power supply
5,6,7,8	OC	Output pin of power transistor

6. BLOCK DIAGRAM



7. ABSOLUTE MAXIMUM RATINGS

Symbol	Parameter	Value	Unit
Vcc	Supply voltage	-0.3V--8	V
Ivcc	Current of supply voltage	100	mA
Vpin	Pin voltage	-0.3--Vcc+0.3	V
Vcol	Collector to GND voltage	-0.3--780	V
Ip	Peak current	1.5	A
Pd	Dissipation power	1	W
Tc	Case operating temperature	-20--+140	°C
Tstg	Storage temperature	-55--+150	°C
Tsol	Soldering temperature	+280	°C/5S

8. ELECTRICAL CHARACTERISTIC

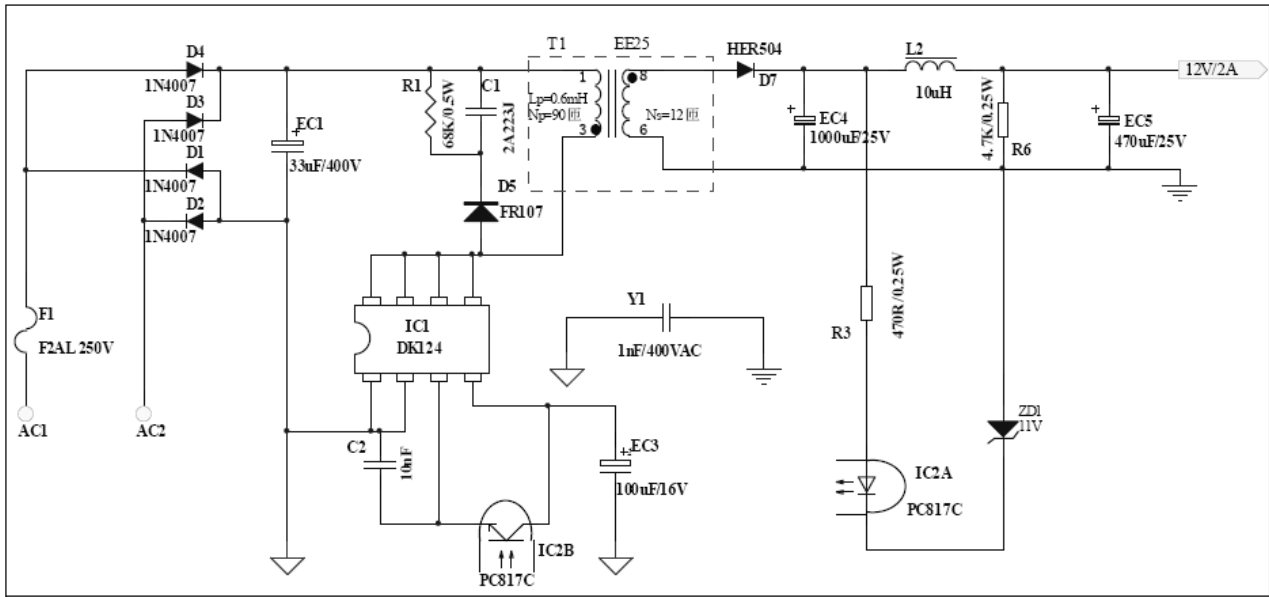
Parameter	Condition	Value			Unit
		Min.	Typ.	Max.	
Vcc (Work Power Supply)	AC input: 85V-265V	4.65	4.95	5.25	V
Start threshold Voltage	AC input: 85V-265V	4.75	5.05	5.35	V
Restart Voltage	AC input: 85V-265V	3.3	3.6	3.9	V
Protect Voltage of VCC	AC input: 85V-265V	6.25	6.55	6.85	V
Current of Vcc	Vcc=5V, Fb=1.5V			50	mA
High voltage start current	AC input: 85V-265V	0.3	0.6	1.2	mA
Start time	AC input: 85V	--	--	500	mS
BJT Voc Breakdown voltage	Ioc=1mA	700	--	--	V
Collector Protection Voltage	Check OC voltage	540	600	660	V
Peak Current Protection	Vcc=5V, Fb=1.5V---2.8V	1100	1300	1500	mA
PWM Output frequency	Vcc=5V, Fb=1.5V---2.5V	61	65	69	KhZ
	Vcc=5V, Fb=2.5V---2.8V	20	22	24	KhZ
Stepped Frequency	Vcc=5V, Fb=1.5V---2.5V		0.5		KhZ
Short circuit protection threshold	Tested FB voltage	1.15	1.33	1.50	V
frequency conversion threshold voltage	Tested FB voltage	2.3	2.7	2.7	V
Burst mode threshold	Tested FB voltage	2.6	2.8	3.0	V
Temperature protection	junction temperature	120	130	140	°C
Leading edge blanking time	Vcc=5V, Fb=1.5V---2.5V		250		nS
Min. turn-on time	Vcc=5V, Fb=2.6V		500		nS
Duty cycle of PWM	Vcc=5V, Fb=1.5V---2.5V	5	--	70	%
Standby power loss	AC input: 265V, unloaded		240		mW

9.11 Constant Power Control

9.12 Short Circuit and Over Load Protection

10. TYPICAL APPLICATION SAMPLE

(12V2A OUTPUT FLYBACK TYPE SWITCH MODE POWER SUPPLY)



10.1 Components list

NO.	NAME	SPEC. / MODEL NO.	POSITION	USED QTY	REMARK
1	Fuse	F2A/AC250V	F1	1	
2	Diode	IN4007	D1~D4	4	
3	Diode	FR107	D5	1	
4	Diode	HER504	D7	1	
5	Electrolytic capacitor	100uF/16V	EC3	1	
6	Electrolytic capacitor	1000uF/25V	EC4	1	
7	Electrolytic capacitor	470uF/25V	EC5	1	
8	Electrolytic capacitor	33uF/400V	EC1	1	
9	Dacron Capacitor	2A223J	C1	1	
10	Ceramic capacitor	10nF	C2	1	
11	Y capacitor	1nF/400V	Y1	1	
12	Resistance	68K/0.5W	R1	1	
13	Resistance	470R	R3	1	
14	Resistance	4.7K	R6	1	
15	Zener Diode	11V	ZD1	1	
16	I-shape inductance	10uH	L2	1	
17	IC	DK124	IC1	1	