

Connector AC-01A

AC INLET Series

AC-01A (KLS1-AS-303-1) IEC AC INLET With Fuse+Rocker Switch Series

SPECIFICATION:

Current Rating: 250V AC 10A

Contact Resistance: 30mΩ Max.

Insulator Resistance: 100MΩ Min. at DC 500V

Dielectric withstand Strength test: 2000VAC / 1 minute
between each terminals

Insertion and Removal force: 5 ~ 40N

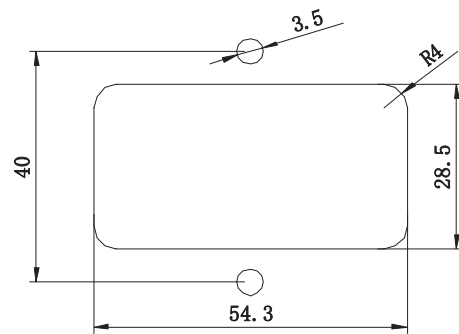
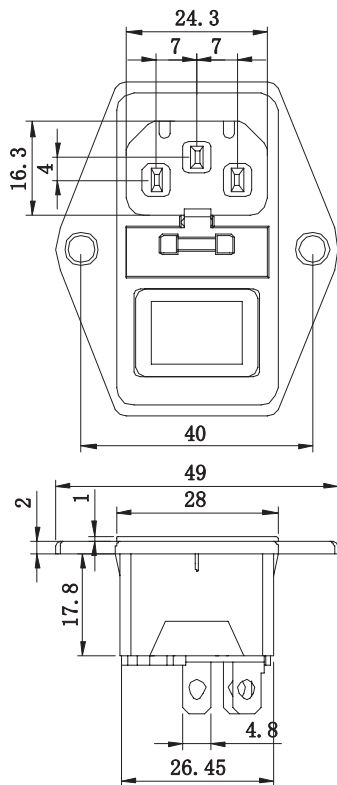
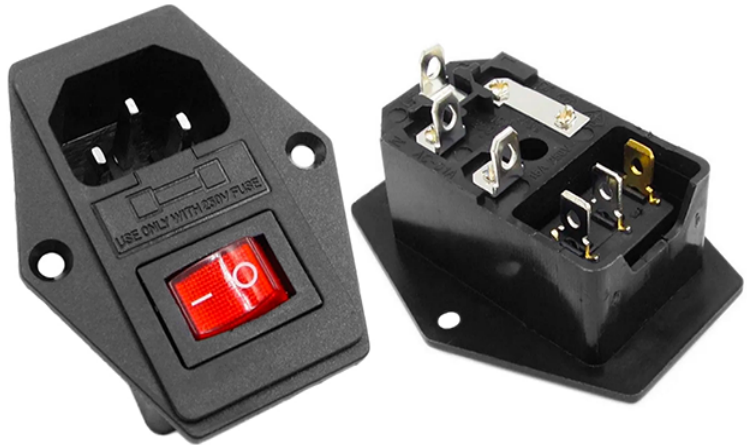
Operating Temperature: -45°C~+105°C

Electrical Life: 5000 cycles Min.

Material:

Insulator: PBT UL 94V-0 or PA66/PC UL 94V-0

Terminal: Brass ,plating Ni.



CUT-OUT

